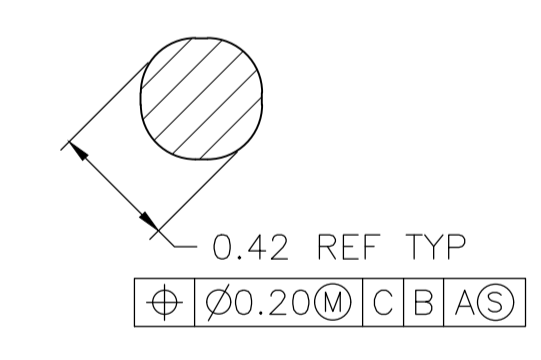
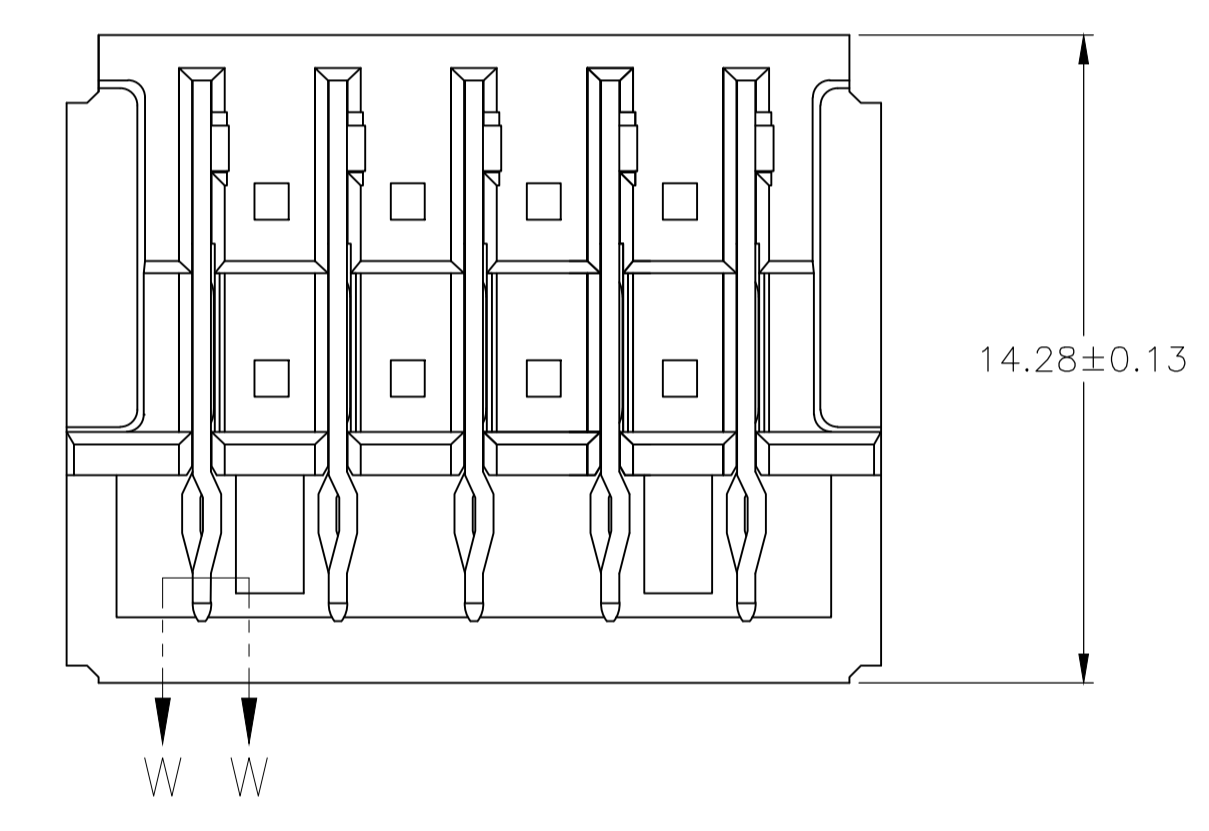
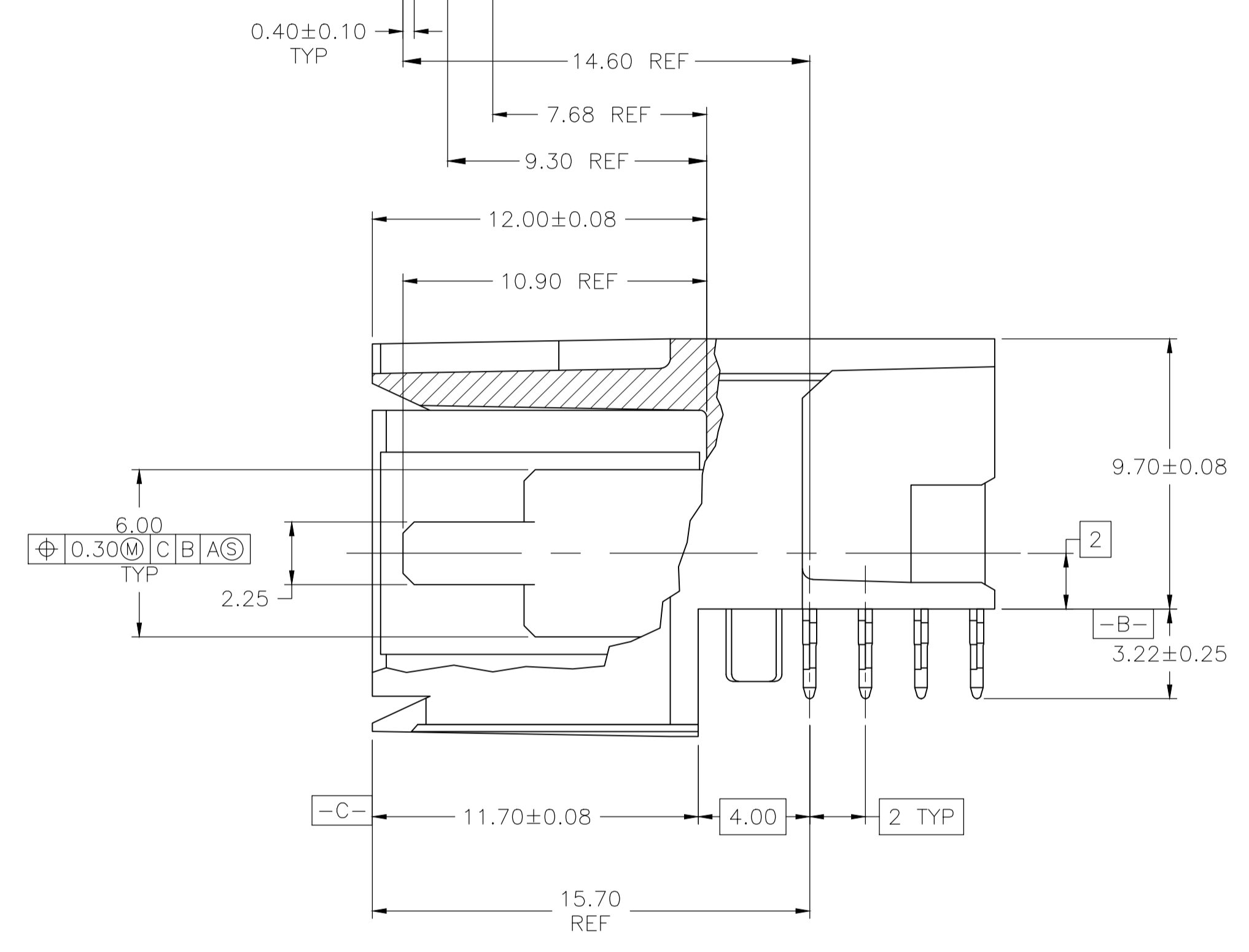
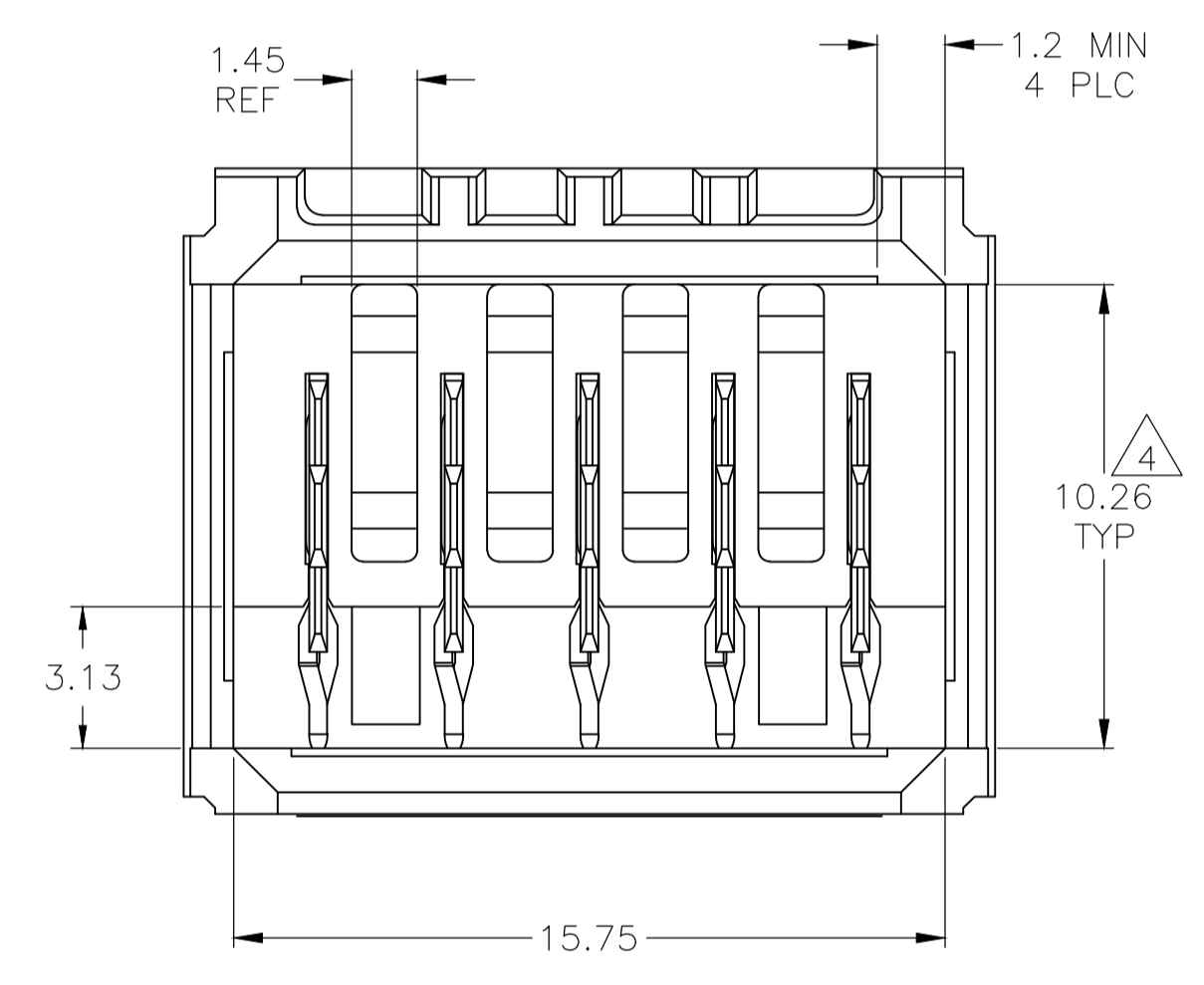
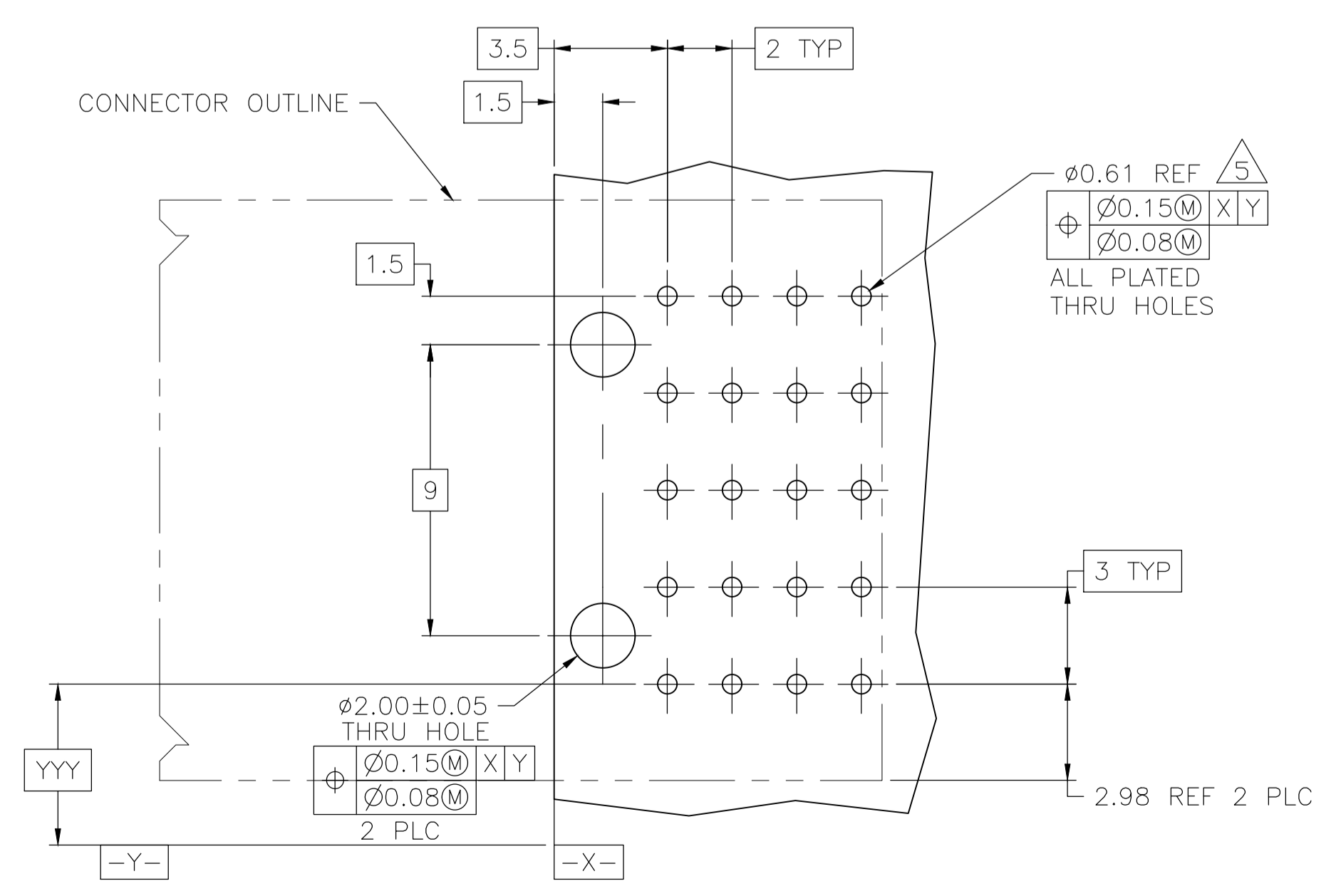


- 1 MATERIAL: HOUSING: POLYESTER, GRAY. UL 94V-0. CONTACT: HIGH CURRENT COPPER ALLOY.
- 2 FINISH: IN ACCORDANCE WITH PRODUCT SPECIFICATION 108-1651, GOLD PLATING OR EQUIVALENT PLATING ON PRODUCT CONTACT MATING AREA, AND MATTE TIN PLATING ON COMPLIANT PIN AREA, ALL OVER MATTE NICKEL UNDERPLATED. DETAIL PLEASE REFER TO PRODUCT SPECIFICATION 108-1651.
- 3 FINISH: CONTACT LUBRICATION WITH BELLCORE APPROVED LUBRICANT. TECHNICAL REFERENCE: GR-1217-CORE, ISSUE 1, NOVEMBER 1995.
- 4 10.26±0.13 DIMENSION APPLIES IN THIS AREA.
- 5 REFERENCE APPLICATION SPEC 114-1103 FOR RECOMMENDED PLATED THRU HOLE DIAMETER AND PLATING THICKNESSES.
- 6. CURRENT RATING 16A/CONTACT PER PRODUCT SPEC 108-1651.



SECTION W-W
SCALE 40:1



RECOMMENDED PCB HOLE LAYOUT

| | | | | |
|---|---|--|----------------------------|-------------|
| - | B, D | A, C, E | 5 | 120955-3 |
| A, B, D, E | C | - | 5 | 120955-2 |
| - | A, B, C, D, E | - | 5 | 120955-1 |
| POSITIONS LOADED WITH 9.30 REF CONTACTS | POSITIONS LOADED WITH 7.68 REF CONTACTS | POSITIONS LOADED WITH 10.90 REF CONTACTS | NUMBER OF LOADED POSITIONS | PART NUMBER |

| | | | | |
|--|--|------------------|---|--------------|
| THIS DRAWING IS A CONTROLLED DOCUMENT. | | DIN | B. CARDO | 14OCT04 |
| DIMENSIONS: mm | | CHK | R. PATTERSON | 14OCT04 |
| TOLERANCES UNLESS OTHERWISE SPECIFIED: | | APVD | R. PATTERSON | 14OCT04 |
| 0 PLC ± - | | NAME | ASSEMBLY, RIGHT ANGLE HEADER, W/ RETENTION PEGS, UNIVERSAL POWER MODULE | |
| 1 PLC ± - | | PRODUCT SPEC | 108-1651 | |
| 2 PLC ± 0.13 | | APPLICATION SPEC | 114-1103 | |
| 3 PLC ± - | | SIZE | A1 | 00779 |
| 4 PLC ± - | | WEIGHT | - | 120955 |
| ANGLES ± - | | CUSTOMER DRAWING | SCALE 6:1 | SHEET 1 OF 1 |
| MATERIAL | | FINISH | REV E3 | |